

2019

12530

19.1.0

ISO9001

ISO14001

OHSAS18001

/

|       |   |
|-------|---|
| ..... | 1 |
| ..... | 1 |
| ..... | 1 |
| ..... | 1 |
| ..... | 2 |
| ..... | 3 |
| ..... | 4 |
| ..... | 4 |
| ..... | 5 |
| ..... | 5 |



|   |  |        |  |
|---|--|--------|--|
|   |  |        |  |
| 1 |  | LHG-2  |  |
| 2 |  | LHG-3  |  |
| 3 |  | LHG-2A |  |

|   |        |         |         |       |
|---|--------|---------|---------|-------|
|   |        |         |         |       |
| 1 | LHG-2  | 50 ~200 | 0.16m/s | 500mL |
| 2 | LHG-3  | 50 ~260 | 0.16m/s | 500mL |
| 3 | LHG-2A | 50 ~200 | 0.16m/s | 500mL |

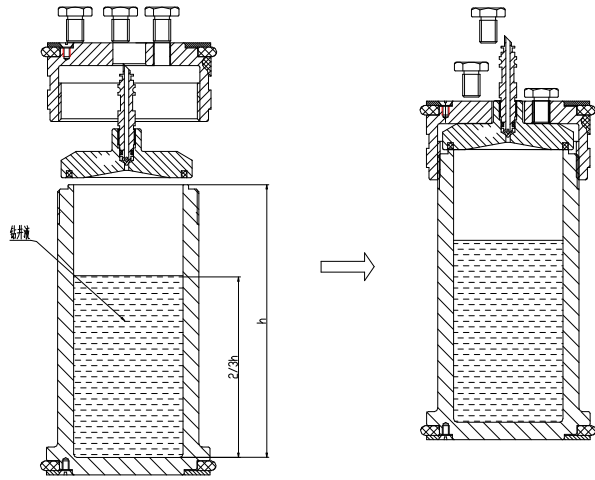
LHG-2

1

$\frac{2}{3}$  325mL

2

3



4

5

1

2

3

4

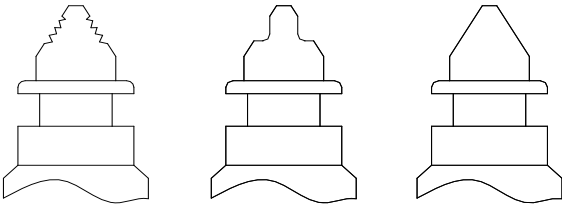
1

2

5

3

GB/T 25480-2010

|  |  |   |  |
|--|--|---|--|
|  |  |   |  |
|  |  | O |  |
|  |  | 3 |  |
|  |  |   |  |



- 1
- 2
- 3





320

10

0532-87605016/87605018

0532-87660287

0532-87604773

[www.haitongda.com](http://www.haitongda.com)

[haitongda@vip.sina.com](mailto:haitongda@vip.sina.com)