

2019

10510

19.1.0

ISO9001

ISO14001

OHSAS18001

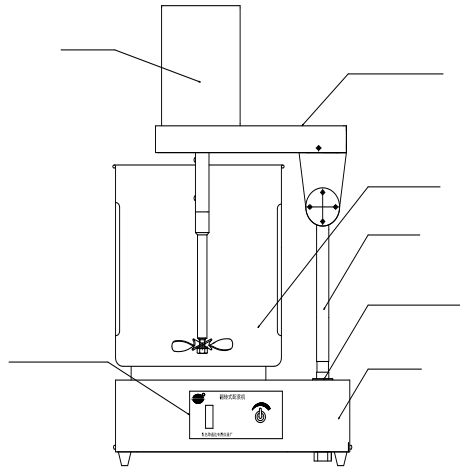
/

.....	1
.....	1
.....	1
.....	1
.....	2
.....	3
.....	3
.....	4
.....	5
.....	5



1		PJ-10L

1		AC 220 11 V 50Hz
2		0.6KW
3		0 3000r/min



1

2

3

4

1

2

3

4

1

2

5

3

GB/T 25480-2010





- 1
- 2
- 3





320

10

0532-87605016/87605018

0532-87660287

0532-87604773

[www.haitongda.com](http://www.haitongda.com)

[haitongda@vip.sina.com](mailto:haitongda@vip.sina.com)